

5000 CLENCH COLLECTION GRAB BARS

METICULOUSLY DESIGNED WITH THE USER IN MIND

sales@preferredbathinc.com

www.preferredbathinc.com

(336) 904-6248



100% STAINLESS STEEL CONSTRUCTION

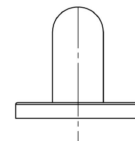
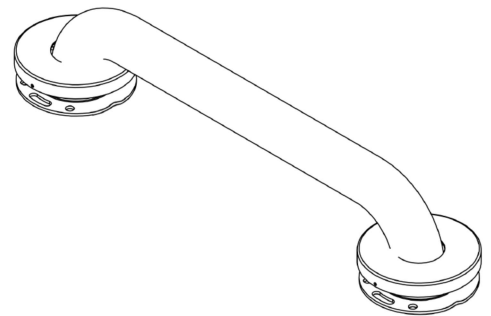
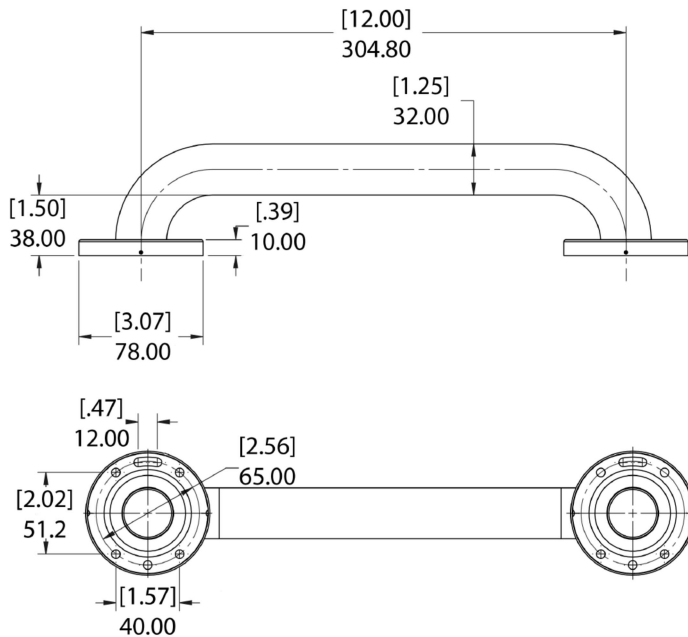
- 304 STAINLESS STEEL BAR
- STAINLESS STEEL COVER FLANGES
- MULTI-SCREW STAINLESS STEEL MOUNTS
- PREMIUM STAINLESS STEEL MOUNTING HARDWARE

POLISHED TO PERFECTION

- STURDY SOLID CONSTRUCTION
- MEETS AND EXCEEDS ANSI REQUIREMENTS

EXCEEDS ADA & ANSI REQUIREMENTS

PART NUMBERS	FINISH
5012-BP	BRIGHT POLISHED
5016-BP	BRIGHT POLISHED
5018-BP	BRIGHT POLISHED
5024-BP	BRIGHT POLISHED
5030-BP	BRIGHT POLISHED
5036-BP	BRIGHT POLISHED
5042-BP	BRIGHT POLISHED
5048-BP	BRIGHT POLISHED
5012-SS	SATIN STAINLESS
5016-SS	SATIN STAINLESS
5018-SS	SATIN STAINLESS
5024-SS	SATIN STAINLESS
5030-SS	SATIN STAINLESS
5036-SS	SATIN STAINLESS
5042-SS	SATIN STAINLESS
5048-SS	SATIN STAINLESS



INSTALLATION:

Attach mounting bracket to the wall with the provided screws. Slide flange and grab bar over the wall bracket and secure with provided stainless steel set screws. This grab bar has been designed to be secured to the wall with at least two screws per mounting bracket giving you the strongest squared decorative grab bar on the market. It also has .20" of adjust-ability for an easy installation.

WOOD BLOCKING REQUIRED FOR COMMERCIAL APPLICATION

Preferred Bath Accessories Inc. warrants to the purchaser that the product will be free from defects in material and workmanship. If the product does not comply with this warranty, Preferred Bath Accessories Inc. will repair or replace the product or, at Preferred Bath Accessories Inc's. option, refund the purchase price. The limited warranty period is for the lifetime of the product. Limitations on the Warranty: The warranty does not cover, normal wear and tear, product abuse, neglect, improper installation or maintenance. Purchaser Requirements: If this product does not meet Preferred Bath Accessories Inc's. warranty, return the product (postage prepaid) to the place of purchase with proof of purchase and a written claim briefly describing the defect. You may be required to provide other information or evidence of the defect.

Limited Warranty: